

SINGLE ARM POLE DATA

POLE DESCRIPTION	MAST ARM LENGTH	SHAFT DIMENSIONS BASE O.D. X END O.D.	0.1196	0.1793	0.2391	0.3125	0.375	0.5	SEE BASE DETAIL	BASE "D"	BASE "BC"	BASE THK "T"	BASE I.D. "ID"	QTY	ANCHOR BOLT DIA X LEN X HOOK	FLANGE "L"	BOLT SQ "J"	FLANGE THK "H"	FLANGE I.D. "P"	HHCS SIZE DIA. "K"	FLANGE THK. "I"	PLATE THK. "M"
LA-S-20-X-XX	20'-0"	13 1/2" X 10 1/2"	-	-	22'-0"	-	-	-	B1	30"	24"	2 1/4"	11 1/4"	4	2 1/4" X 89" x 6"	18"	14 1/2"	1 1/4"	5 7/8"	(6) 1 1/4"	1 1/4"	5/16"
LA-S-25-X-XX	25'-0"	13 1/2" X 10 1/2"	-	-	22'-0"	-	-	-	B1	30"	24"	2 1/4"	11 1/4"	4	2 1/4" X 89" x 6"	18"	14 1/2"	1 1/4"	8 5/8"	(6) 1 1/4"	1 1/4"	5/16"
LA-S-30-X-XX	30'-0"	13 1/2" X 10 1/2"	-	-	-	22'-0"	-	-	B1	30"	24"	2 1/4"	11 1/8"	4	2 1/4" X 89" x 6"	18 1/2"	15"	1 1/2"	8 1/2"	(6) 1 1/4"	1 1/2"	5/16"
LA-S-35-X-XX	35'-0"	14 7/8" X 11 7/8"	-	-	-	22'-0"	-	-	B1	30"	24"	2 1/4"	12 1/2"	4	2 1/4" X 89" x 6"	20 1/2"	16 1/2"	1 3/4"	9 7/8"	(6) 1 1/4"	1 3/4"	5/16"
LA-S-40-X-XX	40'-0"	14 7/8" X 11 7/8"	-	-	-	22'-0"	-	-	B1	30"	24"	2 1/4"	12 1/2"	4	2 1/4" X 89" x 6"	20 1/2"	16 1/2"	1 3/4"	9 3/4"	(6) 1 1/4"	1 3/4"	5/16"
LA-S-45-X-XX	45'-0"	16 1/4" X 13 1/4"	-	-	-	22'-0"	-	-	B1	30"	24"	2 1/4"	13 7/8"	4	2 1/4" X 89" x 6"	21 1/2"	17 1/2"	1 3/4"	11 1/8"	(6) 1 1/4"	1 3/4"	5/16"
LA-S-50-X-XX	50'-0"	17 5/8" X 14 5/8"	-	-	-	22'-0"	-	-	B1	30"	24"	2 1/4"	15 1/4"	4	2 1/4" X 89" x 6"	23"	19"	2"	12 1/2"	(6) 1 1/4"	2"	3/8"
LA-S-55-X-XX	55'-0"	19" X 16"	-	-	-	22'-0"	-	-	B1	30"	24"	2 1/4"	16 5/8"	4	2 1/4" X 89" x 6"	25"	21"	2"	12 1/2"	(6) 1 1/2"	2"	3/8"
LA-S-60-X-XX	60'-0"	19" X 16"	-	-	-	22'-0"	-	-	B2	36"	30"	2 1/4"	16 5/8"	6	2 1/4" X 89" x 6"	25"	21"	2"	12 1/2"	(6) 1 1/2"	2"	3/8"
LA-S-65-X-XX	65'-0"	19" X 16"	-	-	-	22'-0"	-	-	B2	36"	30"	2 1/4"	16 1/2"	6	2 1/4" X 89" x 6"	26"	22"	2 1/4"	13 7/8"	(6) 1 1/2"	2 1/4"	3/8"
LA-S-70-X-XX	70'-0"	20 3/8" X 17 3/8"	-	-	-	22'-0"	-	-	B2	36"	30"	2 1/4"	17 7/8"	6	2 1/4" X 89" x 6"	27"	23"	2 1/4"	15 1/4"	(6) 1 1/2"	2 1/4"	3/8"

X - VARIES PER PROJECT

DOUBLE ARM POLE DATA

POLE DESCRIPTION	PRIMARY ARM LENGTH	SECONDARY ARM LENGTHS	SHAFT DIMENSIONS BASE O.D. X END O.D.	0.1196	0.1793	0.2391	0.3125	0.375	0.5	SEE BASE DETAIL	BASE "D"	BASE "BC"	BASE THK "T"	BASE I.D. "ID"	QTY	ANCHOR BOLT DIA X LEN X HOOK	FLANGE "L"	BOLT SQ "J"	FLANGE THK "H"	FLANGE I.D. "P"	HHCS SIZE DIA. "K"	FLANGE THK. "I"	PLATE THK. "M"
LA-D-25/XX-XX-X-XX	25'-0"	20'-0", 25'-0"	13 1/2" X 10 1/2"	-	-	-	22'-0"	-	-	B1	30"	24"	2 1/4"	11 1/8"	4	2 1/4" X 89" x 6"	18"	14 1/2"	1 1/4"	VARIES	(6) 1 1/4"	1 1/4"	5/16"
LA-D-30/XX-XX-X-XX	30'-0"	20'-0", 25'-0"	14 7/8" X 11 7/8"	-	-	-	22'-0"	-	-	B1	30"	24"	2 1/4"	12 1/2"	4	2 1/4" X 89" x 6"	18 1/2"	15"	1 1/2"	VARIES	(6) 1 1/4"	1 1/2"	5/16"
LA-D-35/XX-XX-X-XX	35'-0"	20'-0", 25'-0"	14 7/8" X 11 7/8"	-	-	-	22'-0"	-	-	B1	30"	24"	2 1/4"	12 1/2"	4	2 1/4" X 89" x 6"	20 1/2"	16 1/2"	1 3/4"	VARIES	(6) 1 1/4"	1 3/4"	5/16"
LA-D-40/XX-XX-X-XX	40'-0"	25'-0", 30'-0", 35'-0"	16 1/4" X 13 1/4"	-	-	-	22'-0"	-	-	B1	30"	24"	2 1/4"	13 7/8"	4	2 1/4" X 89" x 6"	20 1/2"	16 1/2"	1 3/4"	VARIES	(6) 1 1/4"	1 3/4"	5/16"
LA-D-45/XX-XX-X-XX	45'-0"	25'-0", 30'-0", 35'-0", 40'-0"	17 5/8" X 14 5/8"	-	-	-	22'-0"	-	-	B1	30"	24"	2 1/4"	15 1/4"	4	2 1/4" X 89" x 6"	21 1/2"	17 1/2"	1 3/4"	VARIES	(6) 1 1/4"	1 3/4"	5/16"
LA-D-50/XX-XX-X-XX	50'-0"	35'-0", 40'-0"	19" X 16"	-	-	-	22'-0"	-	-	B2	36"	30"	2 1/4"	16 5/8"	6	2 1/4" X 89" x 6"	23"	19"	2"	VARIES	(6) 1 1/4"	2"	3/8"
LA-D-55/XX-XX-X-XX	55'-0"	40'-0", 45'-0"	19" X 16"	-	-	-	22'-0"	-	-	B2	36"	30"	2 1/4"	16 5/8"	6	2 1/4" X 89" x 6"	25"	21"	2"	VARIES	(6) 1 1/2"	2"	3/8"

X - VARIES PER PROJECT

MAST ARM DATA

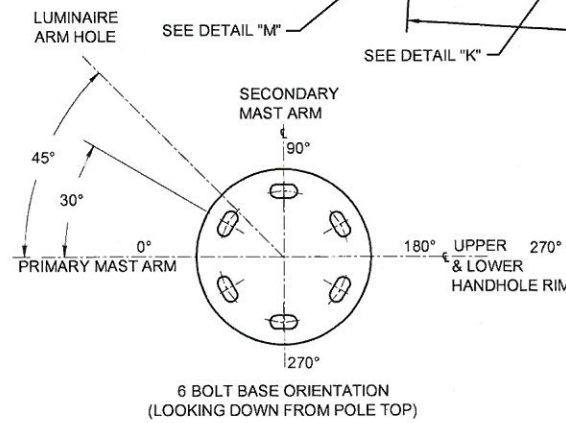
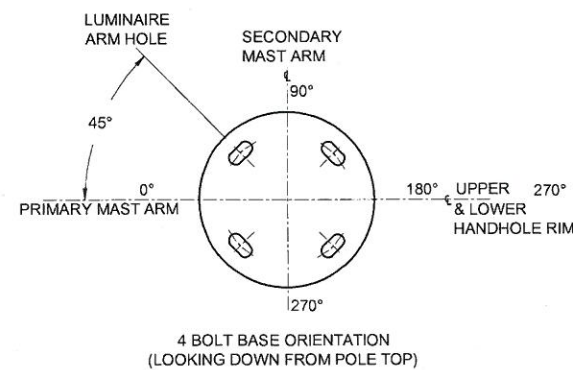
MAST ARM LENGTH "E"	MAST ARM DIMENSIONS BASE O.D. X END O.D.	0.1793	0.2391	0.3125	0.375	0.5	CONN LOCATION "G"	ARM MTG. HEIGHT "N"	ANGLE "9"	MAX CUBICS
20'-0"	8" X 5 1/4"	20'-0"	-	-	-	-	20'-0"	20'-10"	2.5	582
25'-0"	10 3/4" X 7 5/16"	25'-0"	-	-	-	-	20'-0"	21'-1"	2.5	868
30'-0"	10 3/4" X 6 5/8"	-	30'-0"	-	-	-	20'-0"	21'-4"	2.5	1154
35'-0"	12 1/8" X 7 5/16"	-	35'-0"	-	-	-	20'-0"	21'-6"	2.5	1400
40'-0"	12 1/8" X 6 5/8"	-	-	40'-0"	-	-	20'-0"	21'-9"	2.5	1738
45'-0"	13 1/2" X 7 5/16"	-	-	45'-0"	-	-	20'-0"	22'-0"	2.5	2076
50'-0"	14 7/8" X 8"	-	-	50'-0"	-	-	20'-0"	22'-2"	2.5	2527
55'-0"	14 7/8" X 7 5/16"	25'-0"	-	30'-0"	-	-	20'-0"	22'-5"	2.5	2969
60'-0"	14 7/8" X 6 5/8"	25'-0"	-	35'-0"	-	-	20'-0"	22'-7"	2.5	2961
65'-0"	16 1/4" X 7 5/16"	35'-0"	-	-	30'-0"	-	20'-0"	22'-10"	2.5	3445
70'-0"	17 5/8" X 8"	35'-0"	-	-	35'-0"	-	20'-0"	23'-1"	2.5	3964

LUMINAIRE ARM DATA

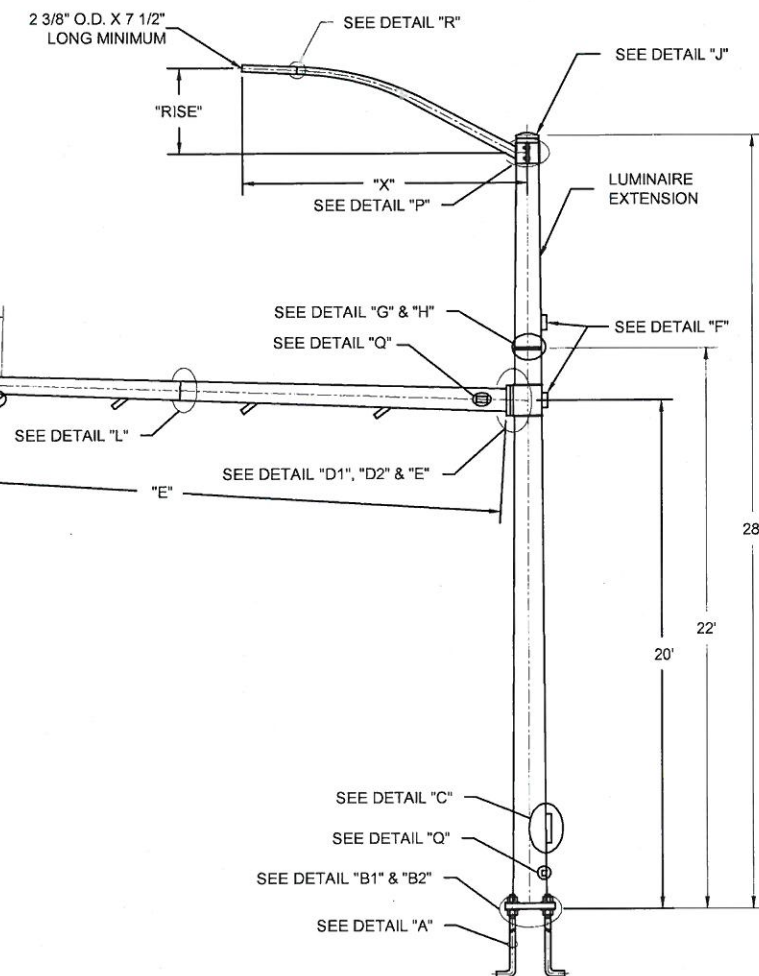
ARM LENGTH "X"	END O.D. X BASE O.D. X THICKNESS	RISE
8'-0"	2 3/8" X 3 11/16" X .120"	2'-6"
10'-0"	2 3/8" X 3 7/8" X .120"	2'-6"
12'-0"	2 3/8" X 4 5/16" X .120"	2'-6"
15'-0"	2 3/8" X 4 5/16" X .120"	2'-6"

LUMINAIRE EXTENSION DATA

SHAFT DIMENSIONS BASE O.D. X END O.D.	THICK	LENGTH
9 3/8" X 8 9/16"	.1196"	6' 0"



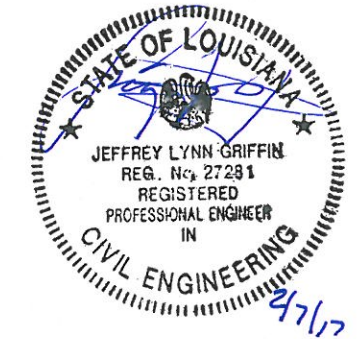
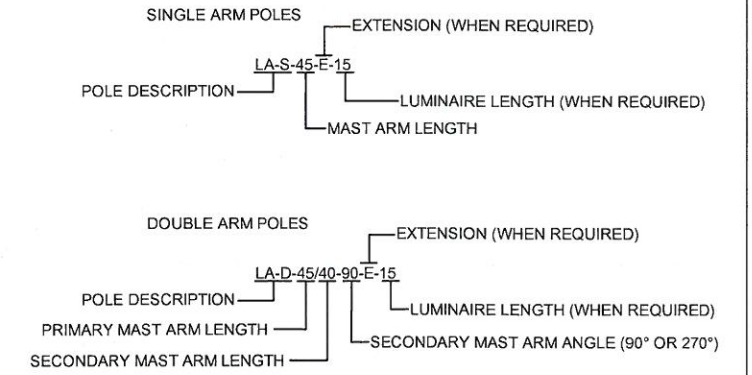
ORIENTATIONS TO BE USED UNLESS NOTED OTHERWISE AT TIME OF ORDER



LA BOLT-ON SERIES

FOR DETAILS SEE SHEET 2

NOTES:
1. DESIGN NUMBER NOMENCLATURE



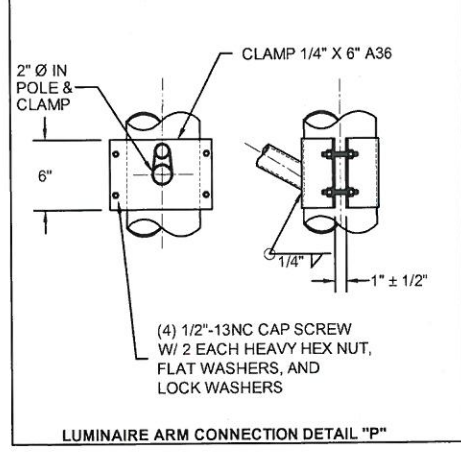
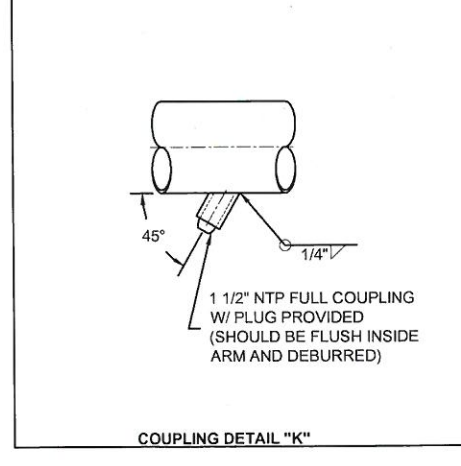
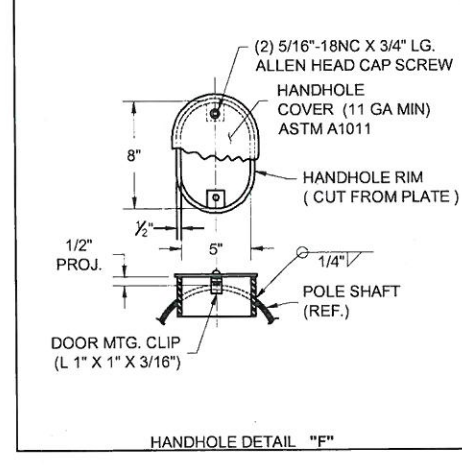
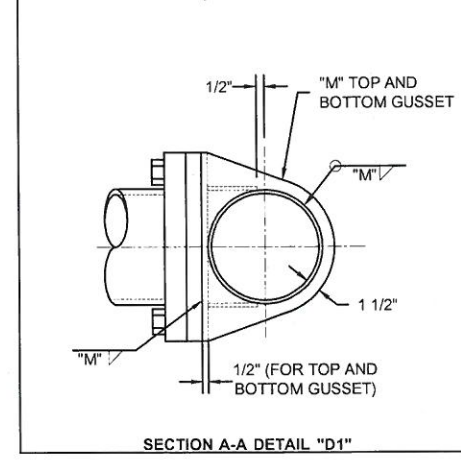
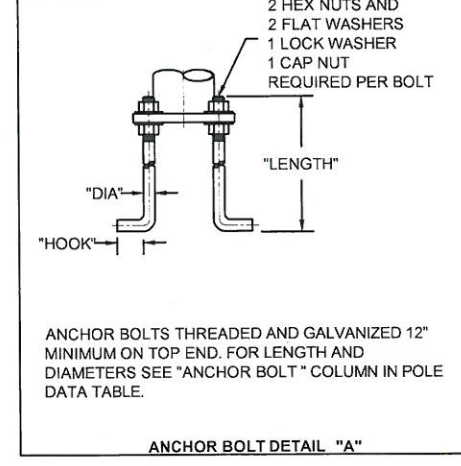
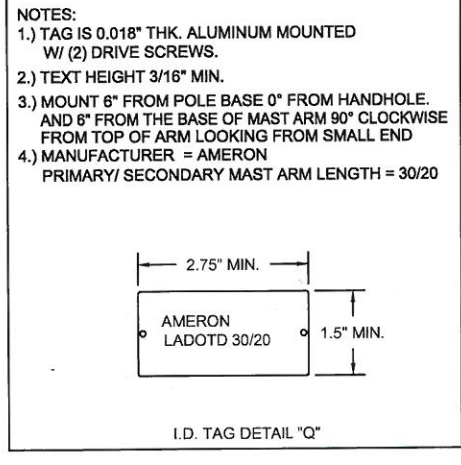
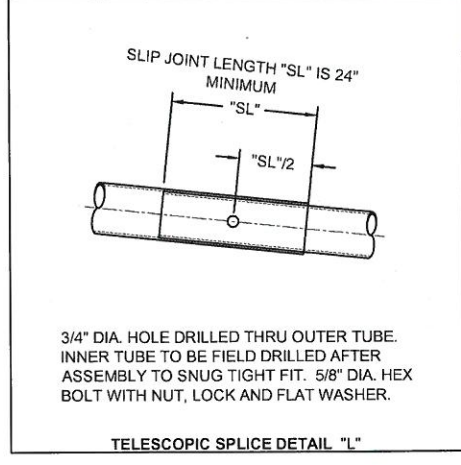
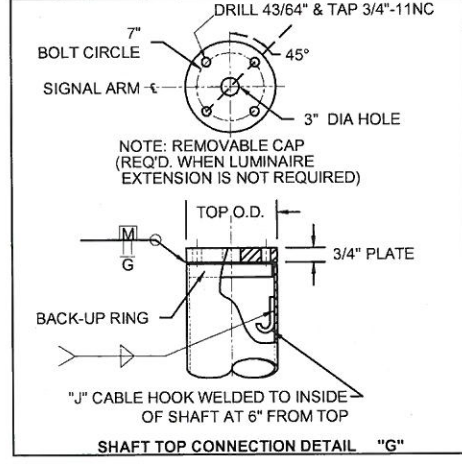
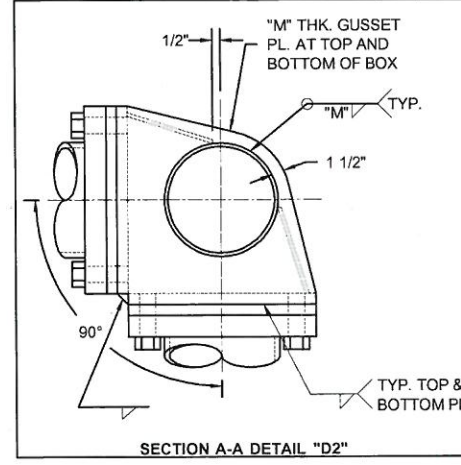
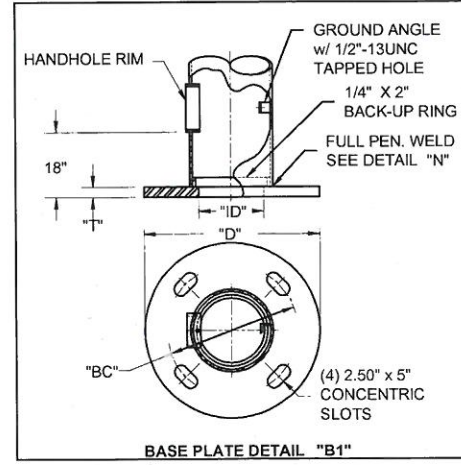
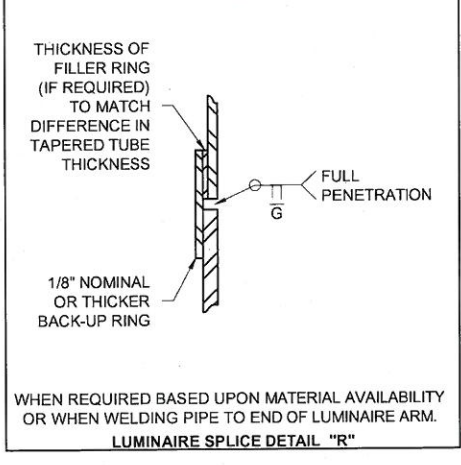
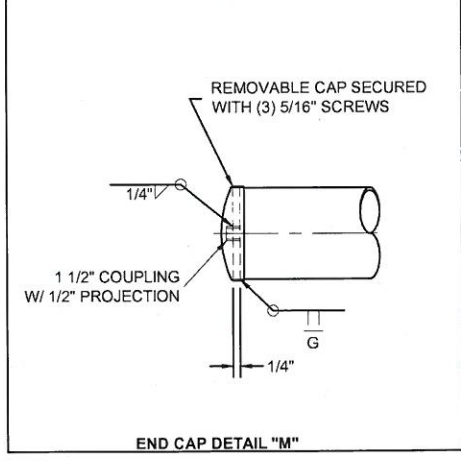
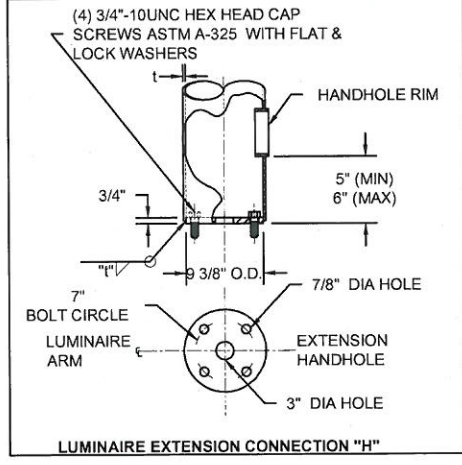
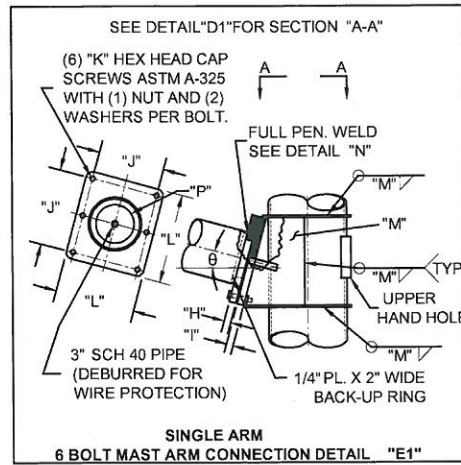
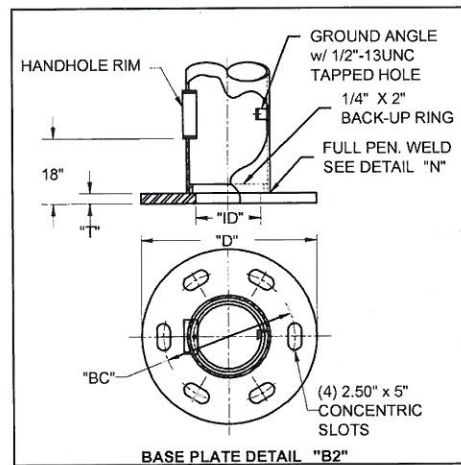
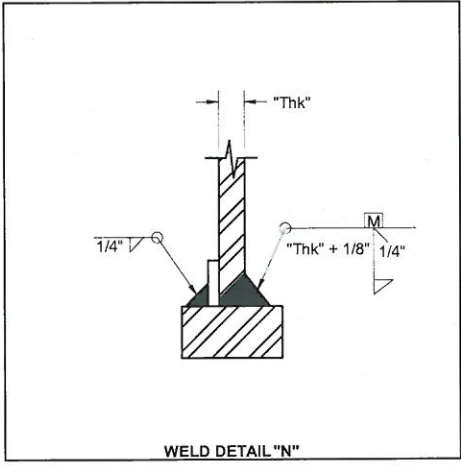
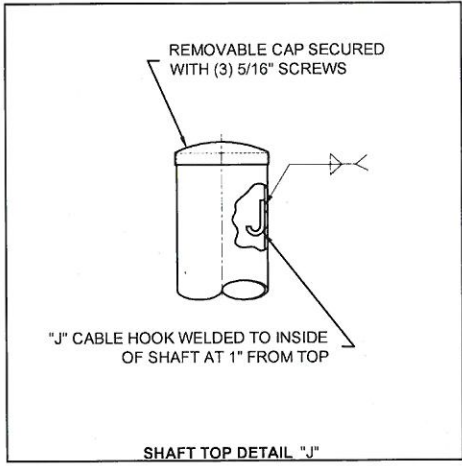
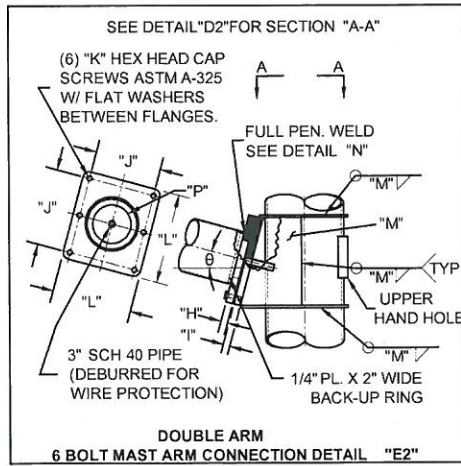
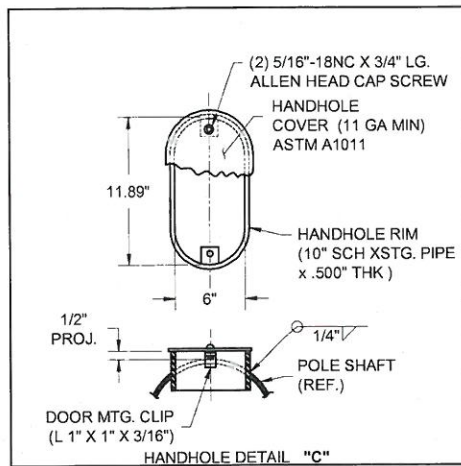
REV	DATE	DESCRIPTION	BY	APPR
B	01/17	REVISED 60 & 70 FT MAST ARM DATA	GM	MHM
A	02/16	REVISED ORIENTATION	JM	GM

Amperon POLE PRODUCTS
STATE OF LOUISIANA
BOLT-ON MAST ARM
TRAFFIC STANDARD

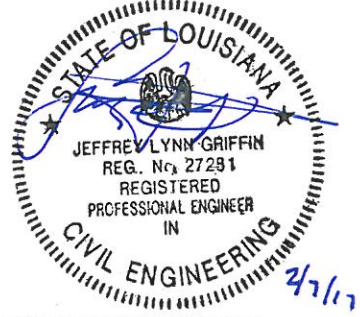
THIS EQUIPMENT CONTAINS INFORMATION WHICH IS PROPRIETARY TO AMPERON. IT SHALL NOT BE REPRODUCED USED OR DISCLOSED TO ANYONE WITHOUT THE PRIOR WRITTEN PERMISSION OF AMPERON.

DRAWN	DATE	APPR	DATE
JM	9/15	GM	9/15

DRAWING NUMBER: LA15TR01
REVISION SHEET: B
SCALE: 1 OF 3 NTS



GENERAL NOTES	
MATERIAL SPECIFICATIONS	
POLE AND ARM SHAFTS	STEEL OF 55 K.S.I. MINIMUM YIELD AFTER FABRICATION. ASTM A-572 GR.55 ASTM A-595 GR. A ASTM A-1011 GR.55 ASTM A-1018 GR.55 THE ABOVE LISTED MATERIALS ARE USED BASED UPON AVAILABILITY AT TIME OF PURCHASE OF MATERIAL LOTS FOR PRODUCING POLE AND ARM SHAFTS
LUMINAIRE ARM SHAFTS	STEEL OF 50 K.S.I. MINIMUM YIELD AFTER FABRICATION. ASTM A-572 GR.50 ASTM A-595 GR. A ASTM A-1011 GR.50 ASTM A-1018 GR.50 THE ABOVE LISTED MATERIALS ARE USED BASED UPON AVAILABILITY AT TIME OF PURCHASE OF MATERIAL LOTS FOR PRODUCING POLE AND ARM SHAFTS
BASEPLATE, FLANGES, AND MISC. PLATES	ASTM A-36 STEEL
PIPE	ASTM A-53 GR "B" OR ASTM A-500 GR "B"
ANCHOR BOLTS	ASTM F-1554 GR. 55 ANCHOR BOLT MIN.
MANUFACTURING PROCESSES	
LONGITUDINAL WELDS	BUTT WELDED BY ELECTRICAL RESISTANCE PROCESS
CIRCUMFERENTIAL	BUTT WELDED WITH PERMANENT BACKUP RING AND GROUND FLUSH WITH BASE MATERIAL. LUMINAIRE ARMS ONLY.
FINISH COATING	
STRUCTURE	HOT DIP GALVANIZE PER ASTM A-123
HARDWARE	HOT DIP GALVANIZE PER ASTM A-153
DESIGN CRITERIA	
STRUCTURE AND HARDWARE	IN ACCORDANCE TO 2009 AASHTO STANDARD SPECIFICATIONS FOR STRUCTURAL SUPPORTS FOR HIGHWAY SIGNS, LUMINAIRE, AND TRAFFIC SUPPORTS.
WELDING	IN ACCORDANCE WITH LATEST EDITION OF AWS D1.1 WELDING CODE OR AS SPECIFIED IN PROJECT PLANS
DISCLAIMER	
NOV/AMERON DISCLAIMS ANY WARRANTY ASSOCIATED WITH FATIGUE INITIATED BY HARMONIC OR INDUCED VIBRATION THAT ARE INFLUENCED BY INTERACTING VARIABLES IN OR AROUND THE VICINITY OF THE INSTALLED PRODUCT. IT SHALL BE THE RESPONSIBILITY OF THE OWNER TO ROUTINELY INSPECT AND MAKE ESSENTIAL MAINTENANCE FROM EXCESSIVE VIBRATION, OR THE EFFECTS THEREOF, INCLUDING BUT NOT LIMITED TO CRACKING, BOLT/NUT LOOSENING OR OTHER ASSOCIATED STRUCTURAL DAMAGE.	
NOV/AMERON DOES NOT RECOMMEND THE INSTALLATION OF CANTILEVER MAST ARM WITHOUT AFFIXING APPLIED LOADINGS.	

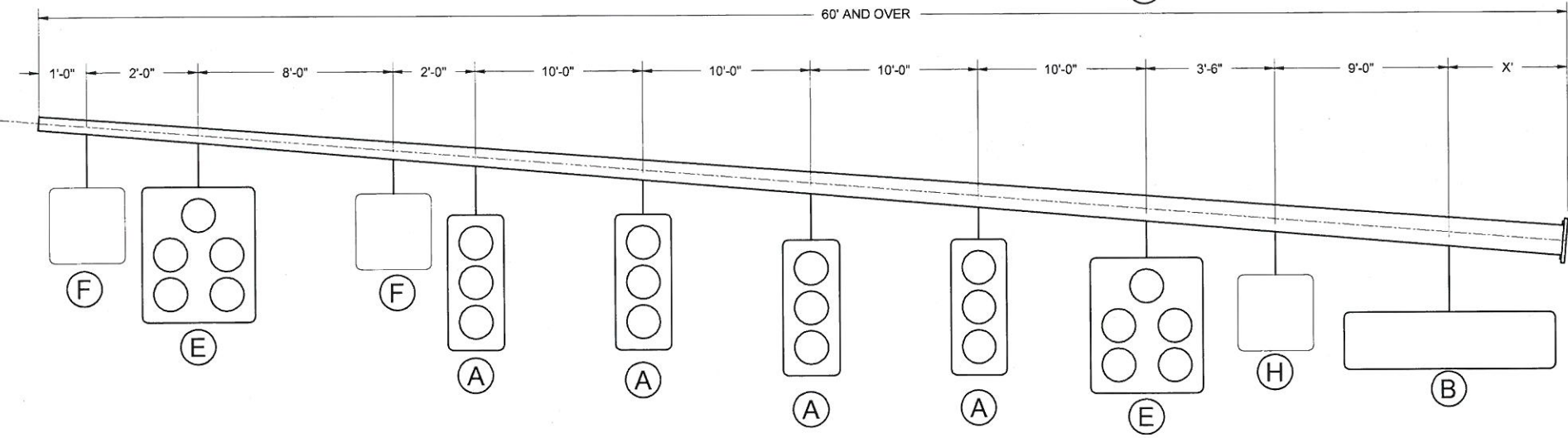
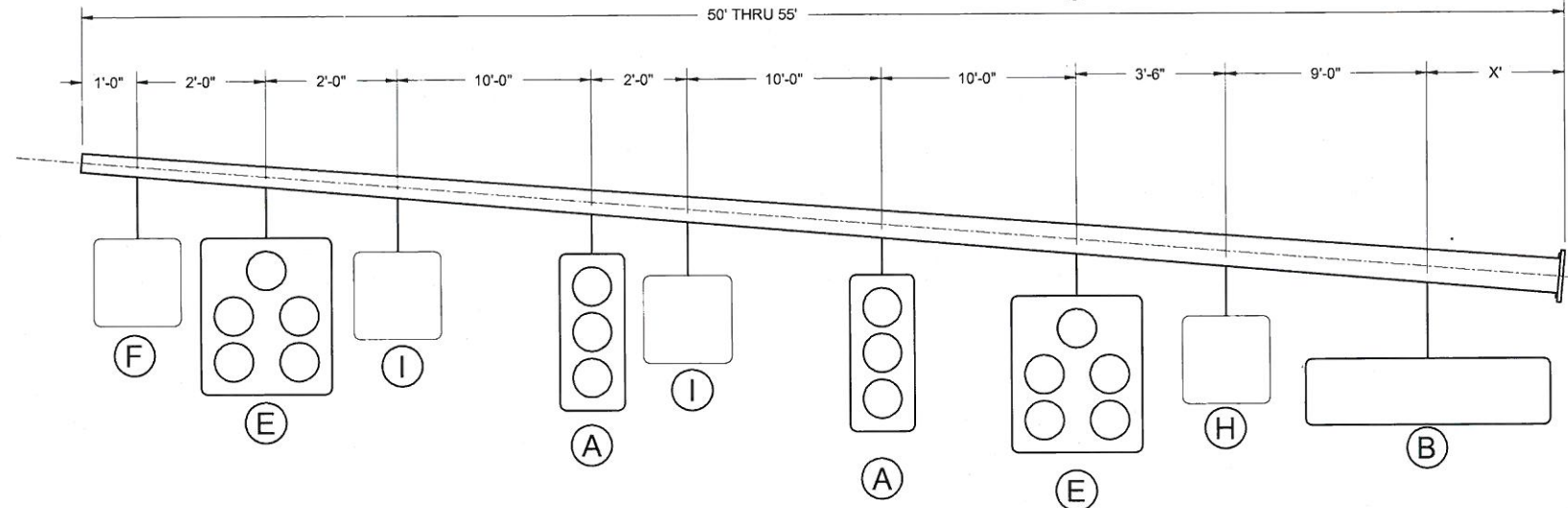
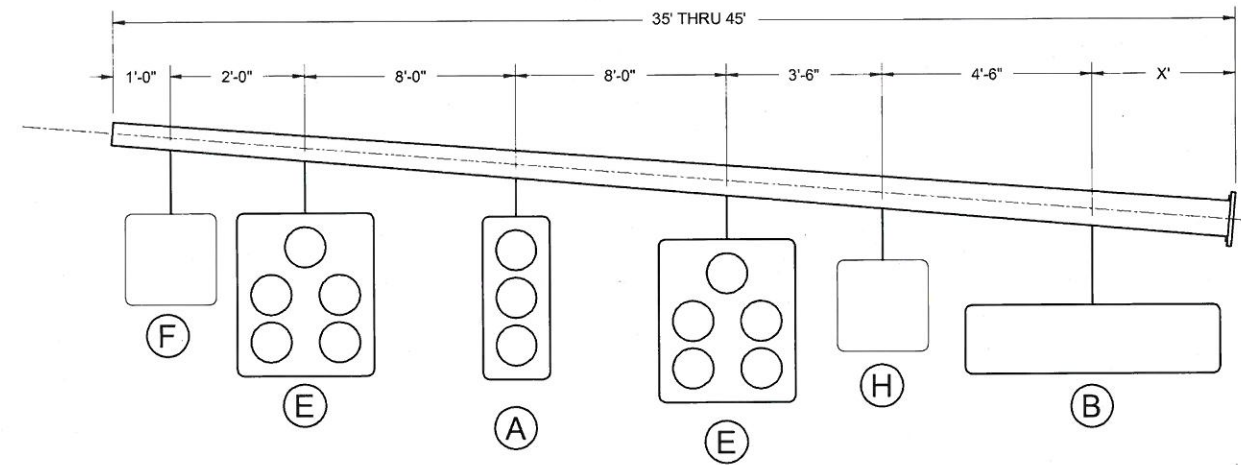
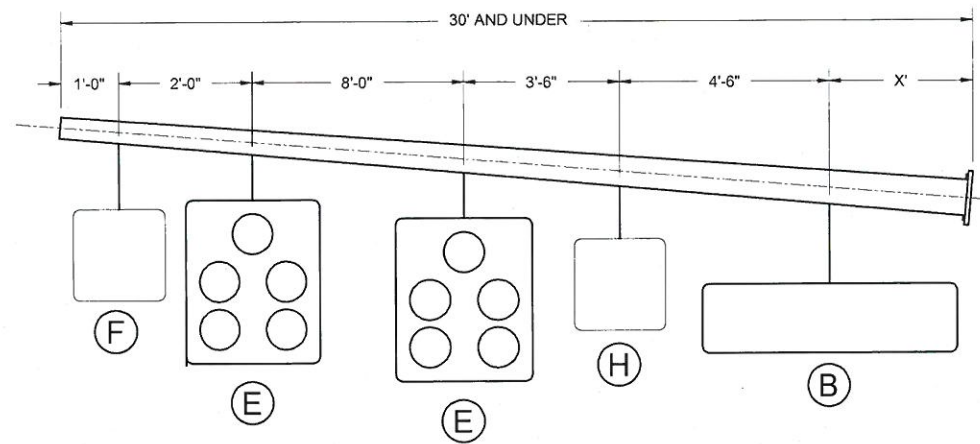


REV.	DATE	DESCRIPTION	BY	APPR.
C	01/17	REVISED ANCHOR BOLT DETAIL "A"	JM	MHM
B	02/16	REVISED NOTES ON DETAILS	JM	GIM
A	11/15	REV. ANCHOR BOLT DETAIL	JM	GM
REV.	DATE	DESCRIPTION	BY	APPR.

Ameron POLE PRODUCTS
STATE OF LOUISIANA
BOLT-ON MAST ARM
TRAFFIC STANDARD

THIS DOCUMENT IS THE PROPERTY OF AMERON AND IS NOT TO BE REPRODUCED OR TRANSMITTED IN ANY FORM OR BY ANY MEANS, ELECTRONIC OR MECHANICAL, INCLUDING PHOTOCOPYING, RECORDING, OR BY ANY INFORMATION STORAGE AND RETRIEVAL SYSTEM.

DRAWN: JM	DATE: 9/15	APPD: GM	DATE: 9/15
DRAWING NUMBER: LA15TR01	REVISION: C	SHEET: 2 OF 3	SCALE: NTS

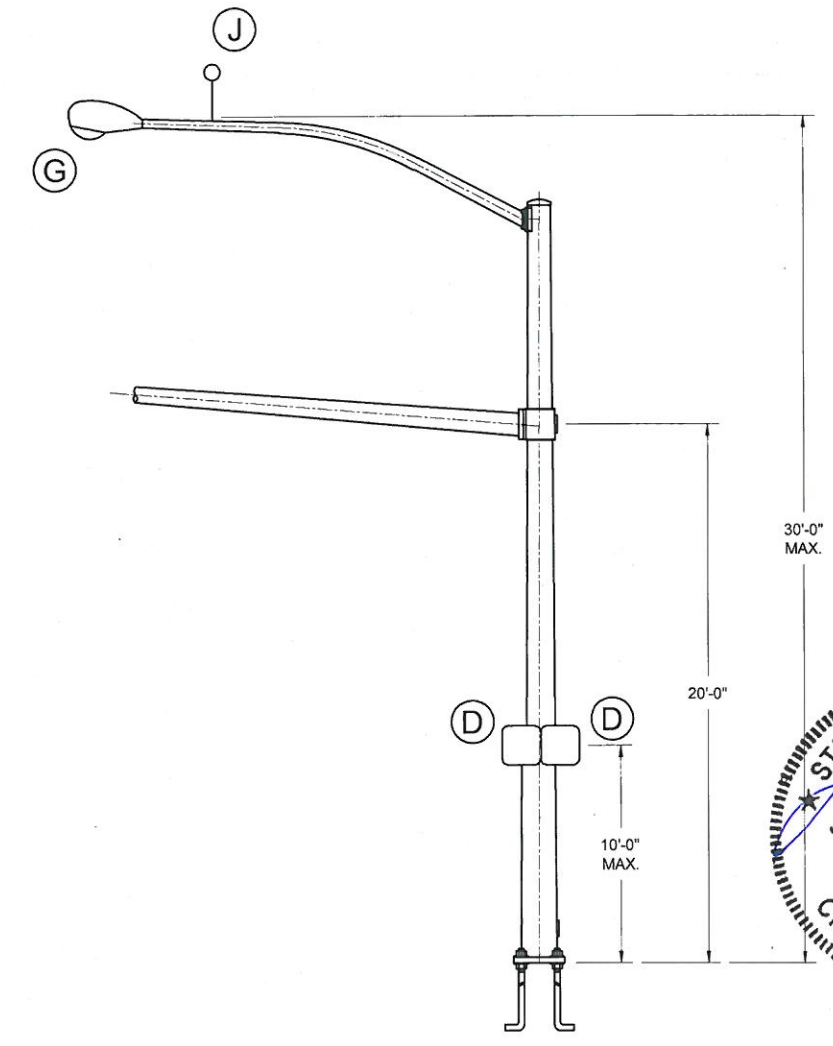


DESIGN CRITERIA:

- NOTES:**
- LOADS PER AASHTO 2009
 - A. LOCATION: STATE OF LOUISIANA
 - B. BASIC WIND SPEED: 130 MPH
 - C. RECURRENCE INTERVAL: 50 YEARS
 - D. FATIGUE CATEGORY: CATEGORY II
 - E. GALLOPING LOADS: NO
 - F. NATURAL WIND GUST: YES (If = 0.80)
 - G. TRUCK-INDUCED GUST: NO
 - CUSTOMER TO VERIFY ACTUAL LOADS DO NOT EXCEED DESIGN LOADS PER SHEET 3 AND CUBICS PER SHEET 1.

APPURTENANCE LOADS			
ITEM NUMBER	DESCRIPTION	WEIGHT (LBS)**	PROJ AREA (SQ FT)
A	3-SECTION SIGNAL W/BACKPLATE	56	10.4'
B	72"X18" STREET NAME SIGN	36	9.0
C	3-SECTION SIGNAL W/O BACKPLATE	50	4.9'
D	DUAL 2-SECTION PED. SIGNAL	80	8.0'
E	5-SECTION SIGNAL W/BACKPLATE	85	16.0'
F	24" x 30" REGULATORY SIGN	20	5.0
G	LUMINAIRE	75	3.3
H	36"X36" BLANK OUT REGULATORY SIGN(40"X40" OVERALL)	94	11.2
I	30"X36" REGULATORY SIGN	30	7.5
J	VIDEO DETECTION CAMERA	9.9	1.0

* PROJECT AREA IS EPA-EFFECTIVE PROJECTED AREA → CD=1.0



MAX. DESIGN LOADING

REV.	DATE	DESCRIPTION	BY	APPR.
AMERON POLE PRODUCTS STATE OF LOUISIANA SINGLE MAST ARM TRAFFIC STANDARD				
<small>THIS DOCUMENT CONTAINS INFORMATION WHICH IS PROPRIETARY TO AMERON. IT SHALL NOT BE REPRODUCED, USED OR DISCLOSED TO ANYONE WITHOUT THE PRIOR WRITTEN PERMISSION OF AMERON.</small>				
DRAWN	DATE	APPR	DATE	
JM	9/15	GM	9/15	
DRAWING NUMBER	REVISION	SHEET	SCALE	
LA15TR01			3 OF 3	NTS